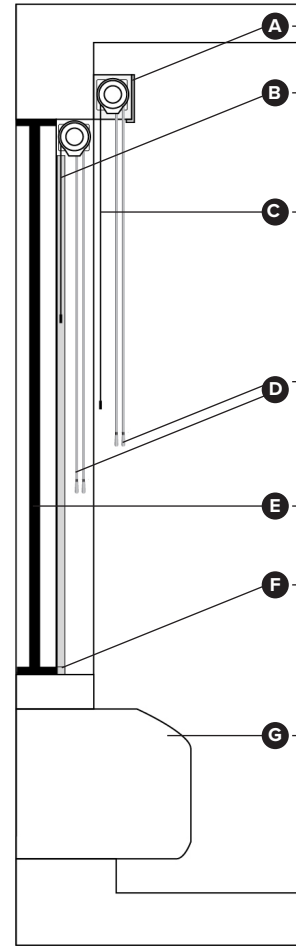




ELEVATION



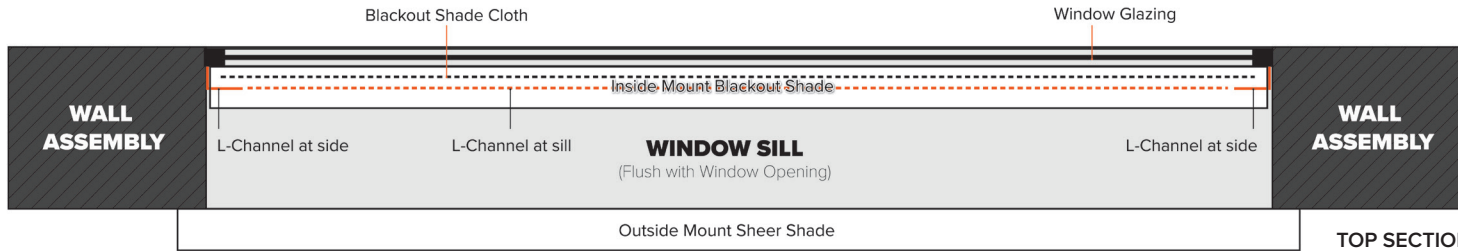
SIDE SECTION

- A**----- Aluminum **Fascia** – White Finish
- B**----- Single Manual **Blackout** Roller Shades, with width to fit within window at 72”, inside ceiling mounted. Fabric wrapped hem bar.
- C**----- Single Manual **Sheer** Roller Shade, outside wall mounted above window, with overall width at 75”, to extend 1.5” past the window on each side concealing all metal channels. Mounted in front of blackout shade closest to room. Fabric wrapped hem bar.
- D**----- 40 Inch White Standard Newton **Wand** Clutch System.
- E**----- Window & Frame, by others
- F**----- Side and Sill **L Channel**, White. Mounted Up Against Window at the Rear of the Window Pocket.
- G**----- PTAC Unit, by others



Printed Sheer:
P.Kaufmann: RS APA Picket / Custom Slate Blue

Black Out:
VERSA / 6500-01 White/White (Railroad)



TOP SECTION



GR-400 (A)

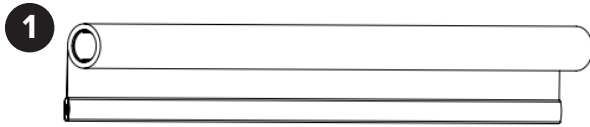
Roller Shades @ Guestroom
Vibrant Scheme (Newton Option)

CONFIDENTIAL: All materials disclosed in this document are proprietary to Fabtex, Inc. The holder agrees to maintain it in confidence and must not replicate or reveal this information in any manner.

Date: March 17, 2025

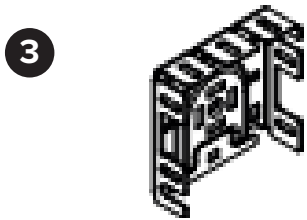
PRODUCT DISCLAIMER: Fabtex is a manufacturer of commercial products that require installation by a licensed contractor. All information shown is for schematic purposes and to aid coordination amongst trades. All wiring, connections, means and methods is to be performed by others in strict adherence with all federal, state and local building codes.



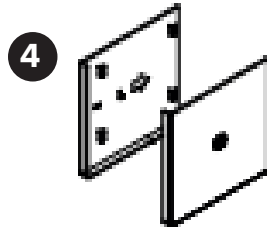


1 Fabric Tube

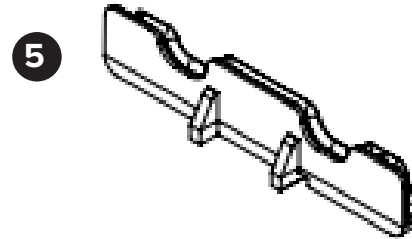
2 Standard Newton Wand Clutch System



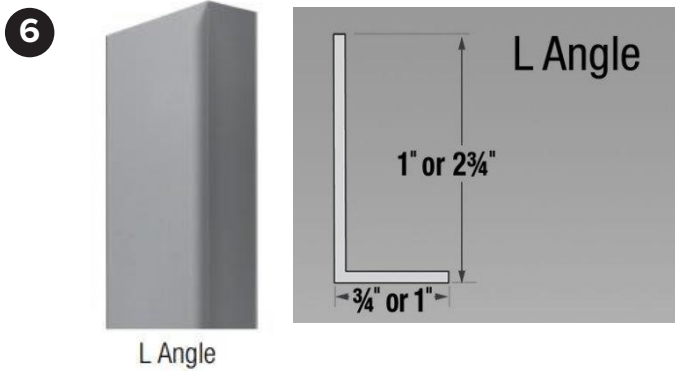
3 Bracket



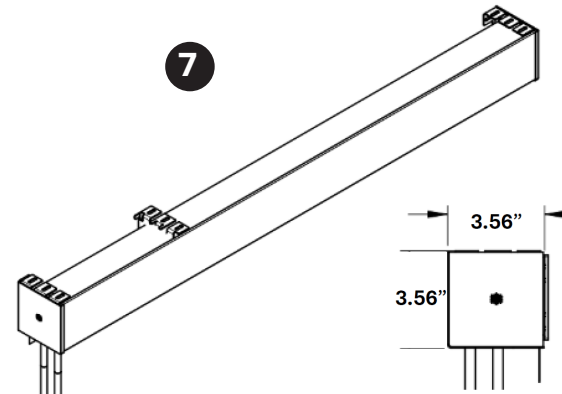
4 End Caps



5 Facias Clip



6 Side and Sill L Channel, White. Mounted Up Against Window at the Rear of the Window Pocket



7 Fascia @ Sheer and Blackout Shade



GR-400 (A)

Roller Shades @ Guestroom
Vibrant Scheme (Newton Option)

CONFIDENTIAL: All materials disclosed in this document are proprietary to Fabtex, Inc. The holder agrees to maintain it in confidence and must not replicate or reveal this information in any manner.

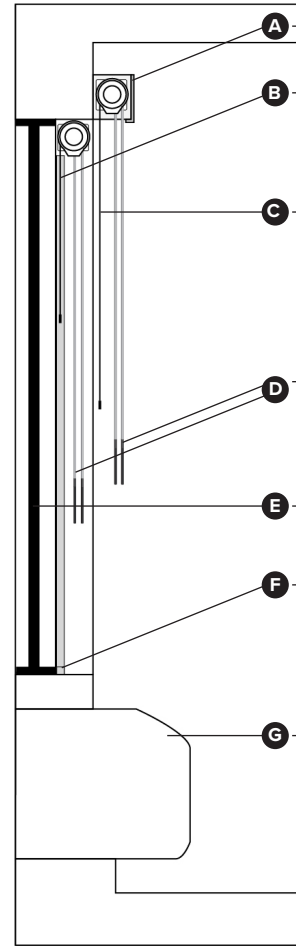
Date: March 17, 2025

PRODUCT DISCLAIMER: Fabtex is a manufacturer of commercial products that require installation by a licensed contractor. All information shown is for schematic purposes and to aid coordination amongst trades. All wiring, connections, means and methods is to be performed by others in strict adherence with all federal, state and local building codes.





ELEVATION



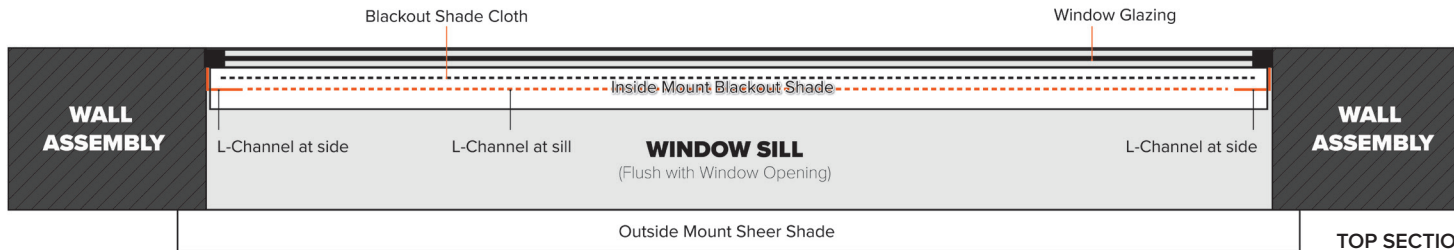
SIDE SECTION

- A**----- Aluminum **Fascia** – White Finish
- B**----- Single Manual **Blackout** Roller Shades, with width to fit within window at 72", inside ceiling mounted. Fabric wrapped hem bar.
- C**----- Single Manual **Sheer** Roller Shade, outside wall mounted above window, with overall width at 75", to extend 1.5" past the window on each side concealing all metal channels. Mounted in front of blackout shade closest to room. Fabric wrapped hem bar.
- D**----- 50 Inch White **ADA** Newton **Wand** Clutch System. Bottom of clutch system to finish no more than 48" AFF.
- E**----- Window & Frame, by others
- F**----- Side and Sill **L Channel**, White. Mounted Up Against Window at the Rear of the Window Pocket.
- G**----- PTAC Unit, by others



Printed Sheer:
P.Kaufmann: RS APA Picket / Custom Slate Blue

Black Out:
VERSA / 6500-01 White/White (Railroad)



TOP SECTION



GR-401 (A)

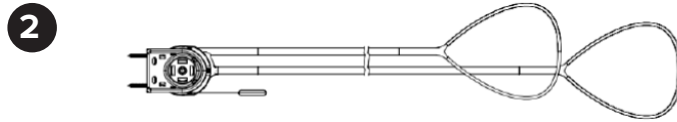
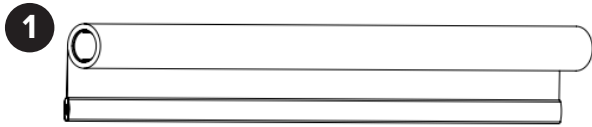
Roller Shades @ **ADA** Guestroom
Vibrant Scheme (Newton Option)

CONFIDENTIAL: All materials disclosed in this document are proprietary to Fabtex, Inc. The holder agrees to maintain it in confidence and must not replicate or reveal this information in any manner.

Date: March 17, 2025

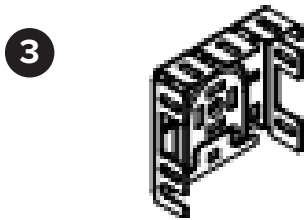
PRODUCT DISCLAIMER: Fabtex is a manufacturer of commercial products that require installation by a licensed contractor. All information shown is for schematic purposes and to aid coordination amongst trades. All wiring, connections, means and methods is to be performed by others in strict adherence with all federal, state and local building codes.



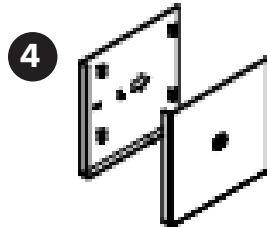


1 Fabric Tube

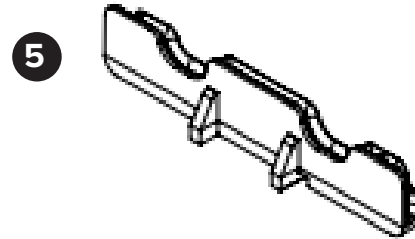
2 ADA Standard Newton Wand Clutch System



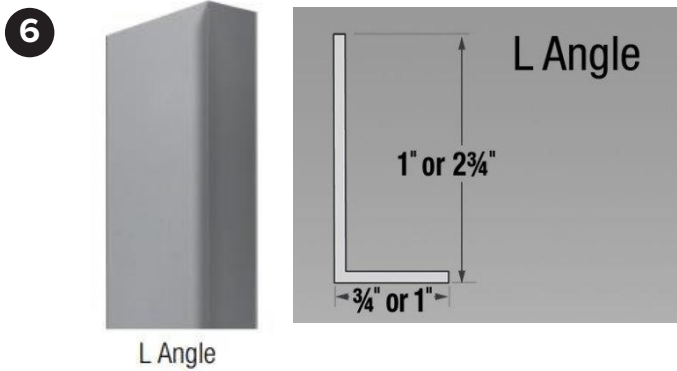
3 Bracket



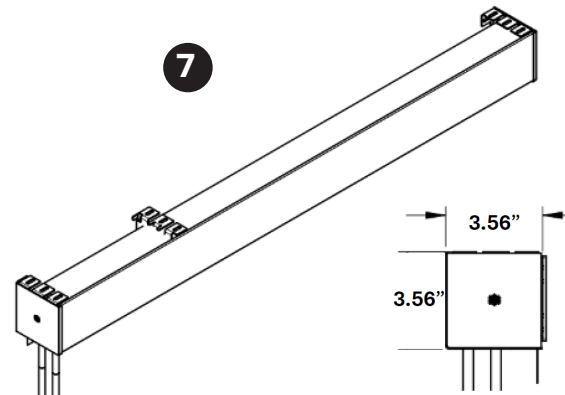
4 End Caps



5 Facias Clip



6 Side and Sill L Channel, White. Mounted Up Against Window at the Rear of the Window Pocket



7 Fascia @ Sheer and Blackout Shade



GR-401 (A)

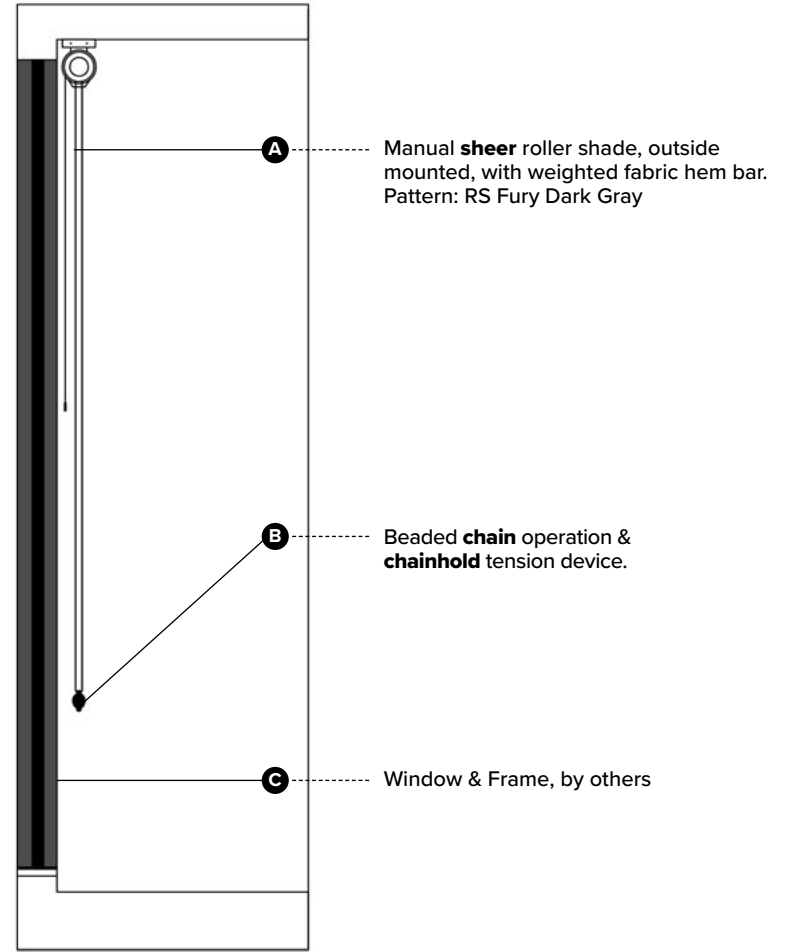
Roller Shades @ ADA Guestroom Vibrant Scheme (Newton Option)

CONFIDENTIAL: All materials disclosed in this document are proprietary to Fabtex, Inc. The holder agrees to maintain it in confidence and must not replicate or reveal this information in any manner.

Date: March 17, 2025

PRODUCT DISCLAIMER: Fabtex is a manufacturer of commercial products that require installation by a licensed contractor. All information shown is for schematic purposes and to aid coordination amongst trades. All wiring, connections, means and methods is to be performed by others in strict adherence with all federal, state and local building codes.





Window Treatment Elevation + Section View

Specification # PA-400

Scale: NTS

Hilton

Public Area Window Treatments
Vibrant Scheme

HOME²
SUITES BY HILTON

PRODUCT DISCLAIMER: Fabtex is a manufacturer of commercial products that require installation by a licensed contractor. All information shown is for schematic purposes and to aid coordination amongst trades. All wiring, connections, means and methods is to be performed by others in strict adherence with all federal, state and local building codes.

CONFIDENTIAL: All materials disclosed in this document are proprietary to Fabtex, Inc. The holder agrees to maintain it in confidence and must not replicate or reveal this information in any manner.

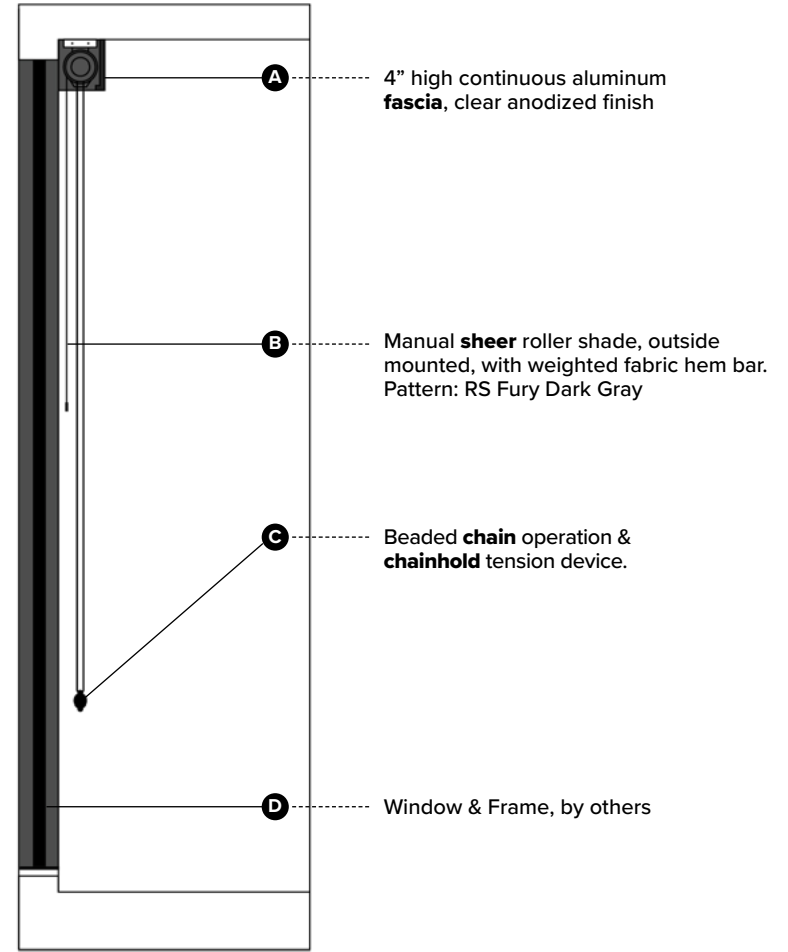
Fabric to meet NFPA 701 FR Standards. Roller Shade Lift System to comply with ANSI WCMA A100.1, Section 2515.03 safety standards.

Spec #PA-400

- Lobby
- Fitness Room

F A B T E X

Date: March 17, 2025

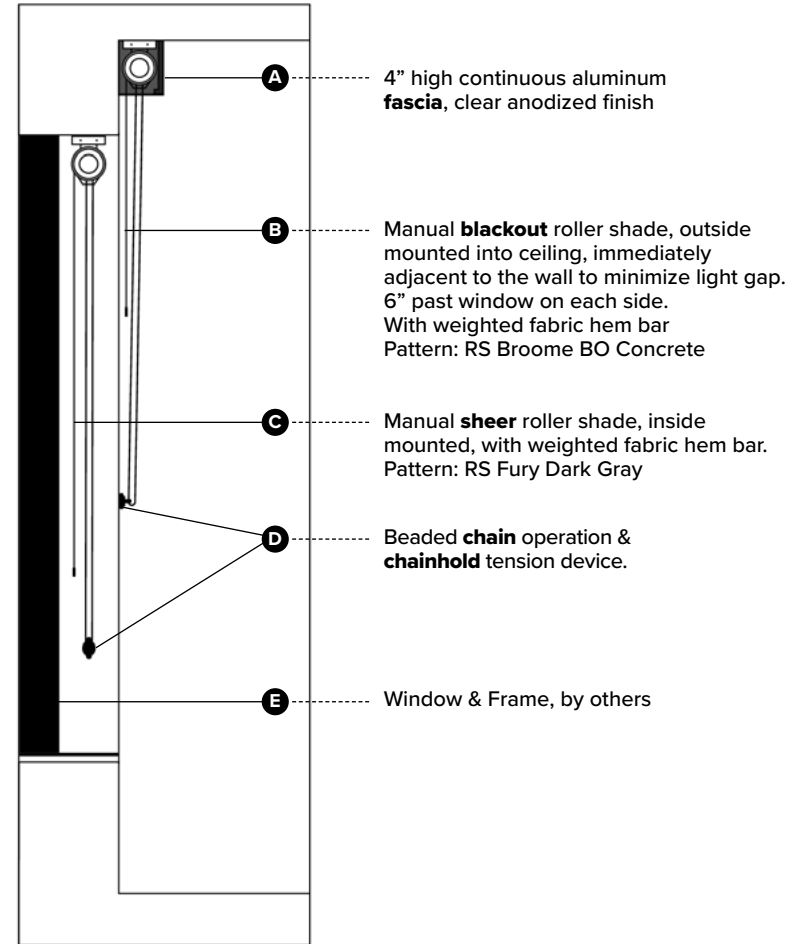


Window Treatment Elevation + Section View

Specification # PA-401

Scale: NTS

	<p>Public Area Window Treatments Vibrant Scheme</p>	<p>Fabric to meet NFPA 701 FR Standards. Roller Shade Lift System to comply with ANSI WCMA A100.1, Section 2515.03 safety standards.</p> <p>Spec #PA-401</p> <ul style="list-style-type: none"> • Breakroom • Fitness Room (Framed Windows) 	
<p>PRODUCT DISCLAIMER: Fabtex is a manufacturer of commercial products that require installation by a licensed contractor. All information shown is for schematic purposes and to aid coordination amongst trades. All wiring, connections, means and methods is to be performed by others in strict adherence with all federal, state and local building codes.</p> <hr/> <p>CONFIDENTIAL: All materials disclosed in this document are proprietary to Fabtex, Inc. The holder agrees to maintain it in confidence and must not replicate or reveal this information in any manner.</p>			



Window Treatment Elevation + Section View

Specification # PA-402

Scale: NTS

Hilton

Public Area Window Treatments
Vibrant Scheme

HOME 2
SUITES BY HILTON

PRODUCT DISCLAIMER: Fabtex is a manufacturer of commercial products that require installation by a licensed contractor. All information shown is for schematic purposes and to aid coordination amongst trades. All wiring, connections, means and methods is to be performed by others in strict adherence with all federal, state and local building codes.

CONFIDENTIAL: All materials disclosed in this document are proprietary to Fabtex, Inc. The holder agrees to maintain it in confidence and must not replicate or reveal this information in any manner.

Fabric to meet NFPA 701 FR Standards. Roller Shade Lift System to comply with ANSI WCMA A100.1, Section 2515.03 safety standards.

Spec #PA-402

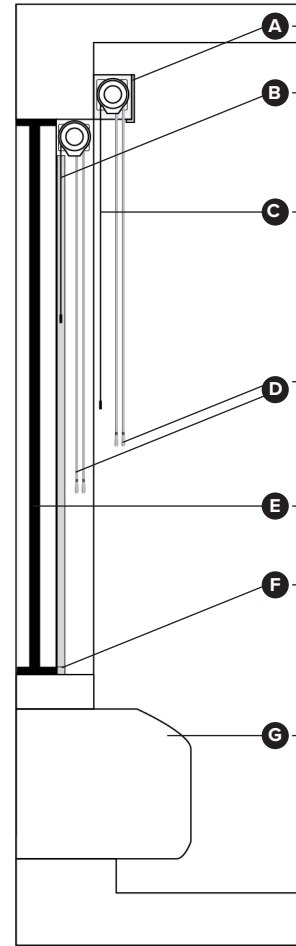
- Sales Office
- Meeting Room
- Board Room

F A B T E X

Date: March 17, 2025



ELEVATION



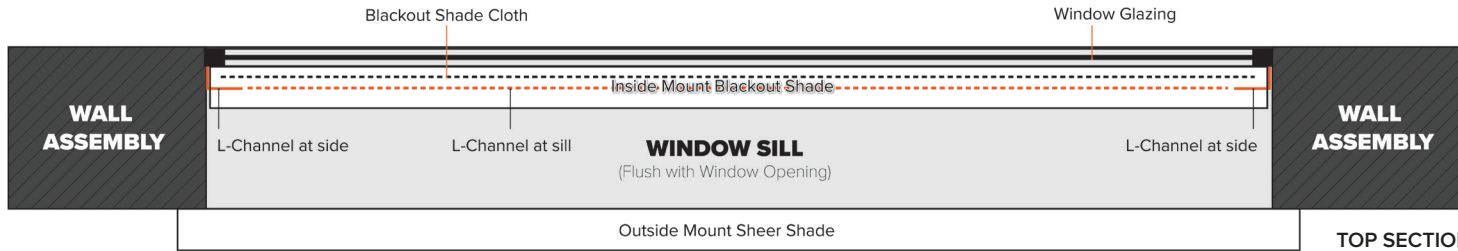
SIDE SECTION

- A**----- Aluminum **Fascia** – White Finish
- B**----- Single Manual **Blackout** Roller Shades, with width to fit within window at 72”, inside ceiling mounted. Fabric wrapped hem bar.
- C**----- Single Manual **Sheer** Roller Shade, outside wall mounted above window, with overall width at 75”, to extend 1.5” past the window on each side concealing all metal channels. Mounted in front of blackout shade closest to room. Fabric wrapped hem bar.
- D**----- 40 Inch White Standard Newton **Wand** Clutch System.
- E**----- Window & Frame, by others
- F**----- Side and Sill **L Channel**, White. Mounted Up Against Window at the Rear of the Window Pocket.
- G**----- PTAC Unit, by others



Printed Sheer:
P.Kaufmann: RS APA Harlan / Custom Multi

Black Out:
VERSA / 6500-01 White/White (Railroad)



TOP SECTION



GR-400 (B)

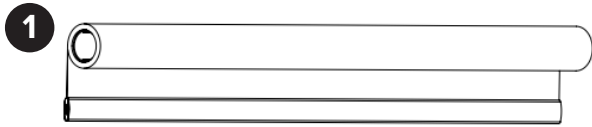
Roller Shades @ Guestroom
Dynamic Scheme (Newton Option)

CONFIDENTIAL: All materials disclosed in this document are proprietary to Fabtex, Inc. The holder agrees to maintain it in confidence and must not replicate or reveal this information in any manner.

Date: March 17, 2025

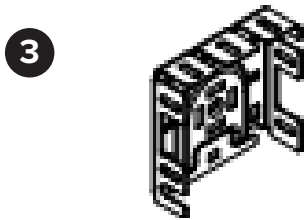
PRODUCT DISCLAIMER: Fabtex is a manufacturer of commercial products that require installation by a licensed contractor. All information shown is for schematic purposes and to aid coordination amongst trades. All wiring, connections, means and methods is to be performed by others in strict adherence with all federal, state and local building codes.



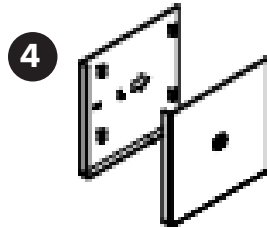


1 Fabric Tube

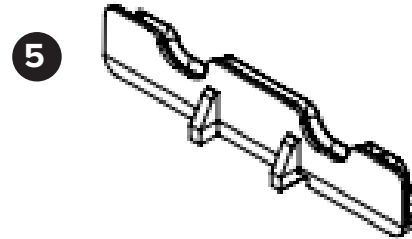
2 Standard Newton Wand Clutch System



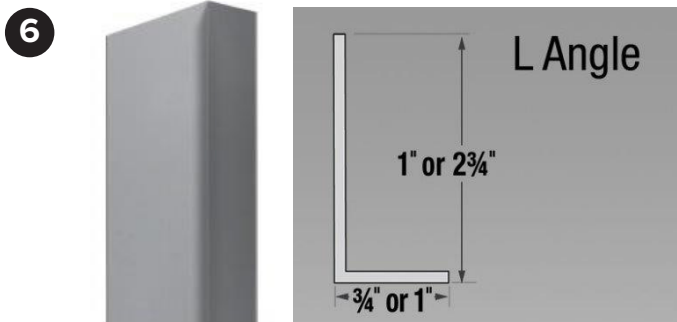
3 Bracket



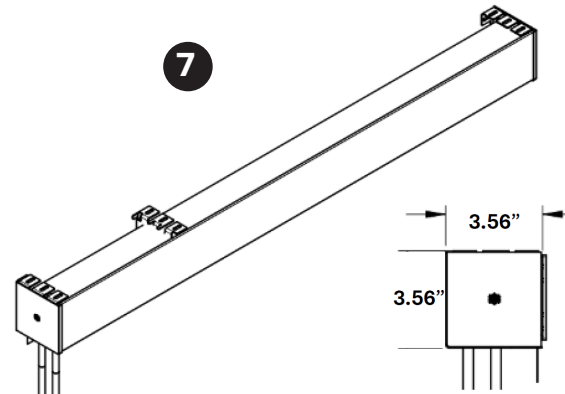
4 End Caps



5 Facias Clip



6 Side and Sill L Channel, White. Mounted Up Against Window at the Rear of the Window Pocket



7 Fascia @ Sheer and Blackout Shade



GR-400 (B)

Roller Shades @ Guestroom
Dynamic Scheme (Newton Option)

CONFIDENTIAL: All materials disclosed in this document are proprietary to Fabtex, Inc. The holder agrees to maintain it in confidence and must not replicate or reveal this information in any manner.

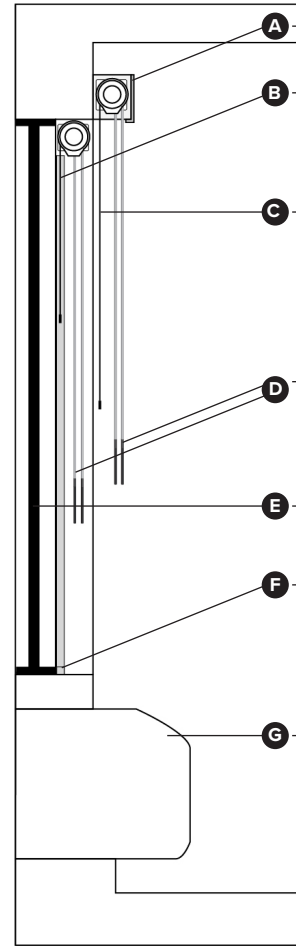
Date: March 17, 2025

PRODUCT DISCLAIMER: Fabtex is a manufacturer of commercial products that require installation by a licensed contractor. All information shown is for schematic purposes and to aid coordination amongst trades. All wiring, connections, means and methods is to be performed by others in strict adherence with all federal, state and local building codes.





ELEVATION



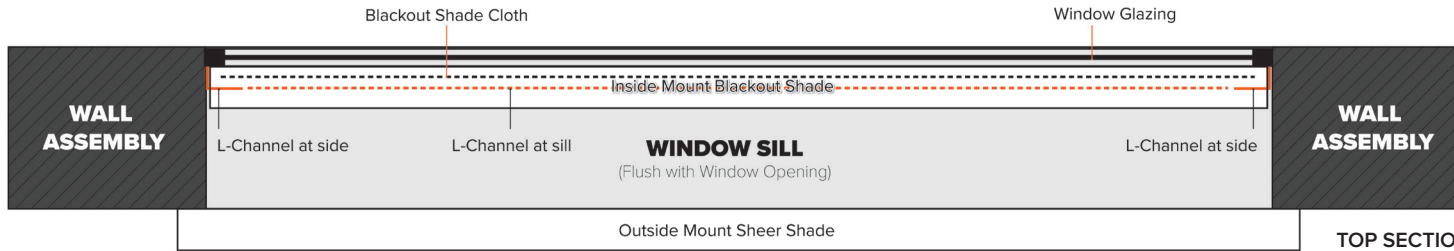
SIDE SECTION

- A**----- Aluminum **Fascia** – White Finish
- B**----- Single Manual **Blackout** Roller Shades, with width to fit within window at 72”, inside ceiling mounted. Fabric wrapped hem bar.
- C**----- Single Manual **Sheer** Roller Shade, outside wall mounted above window, with overall width at 75”, to extend 1.5” past the window on each side concealing all metal channels. Mounted in front of blackout shade closest to room. Fabric wrapped hem bar.
- D**----- 50 Inch White **ADA** Newton **Wand** Clutch System. Bottom of clutch system to finish no more than 48” AFF.
- E**----- Window & Frame, by others
- F**----- Side and Sill **L Channel**, White. Mounted Up Against Window at the Rear of the Window Pocket.
- G**----- PTAC Unit, by others



Printed Sheer:
P.Kaufmann: RS APA Harlan / Custom Multi

Black Out:
VERSA / 6500-01 White/White (Railroad)



TOP SECTION



GR-401 (B)

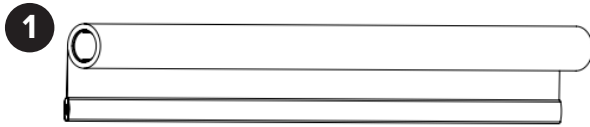
Roller Shades @ **ADA** Guestroom
Dynamic Scheme (Newton Option)

CONFIDENTIAL: All materials disclosed in this document are proprietary to Fabtex, Inc. The holder agrees to maintain it in confidence and must not replicate or reveal this information in any manner.

Date: March 17, 2025

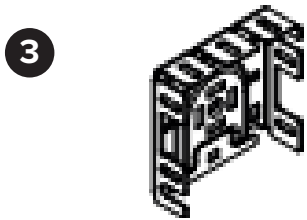
PRODUCT DISCLAIMER: Fabtex is a manufacturer of commercial products that require installation by a licensed contractor. All information shown is for schematic purposes and to aid coordination amongst trades. All wiring, connections, means and methods is to be performed by others in strict adherence with all federal, state and local building codes.



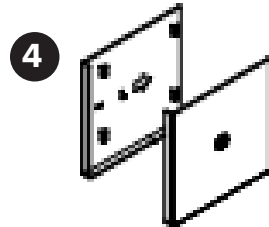


1 Fabric Tube

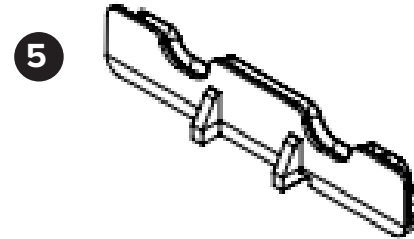
2 ADA Standard Newton Wand Clutch System



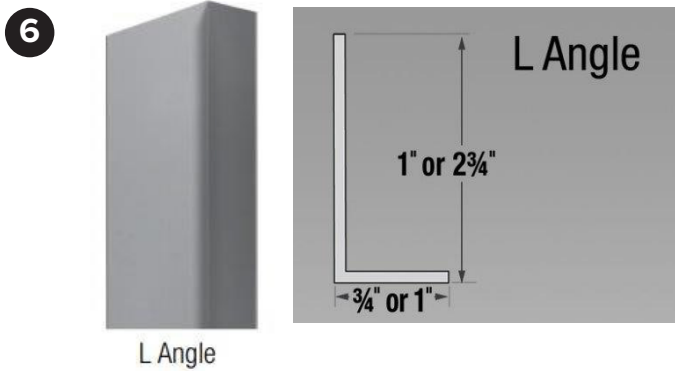
3 Bracket



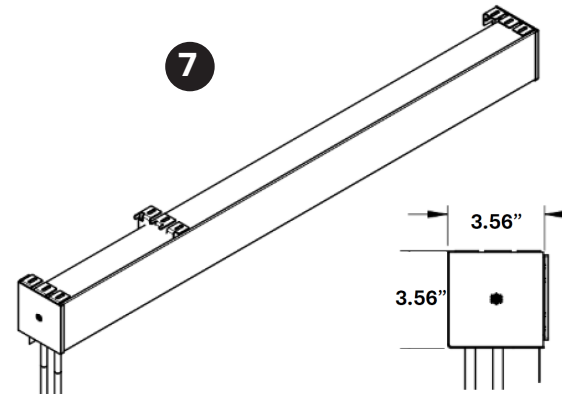
4 End Caps



5 Facias Clip



6 Side and Sill L Channel, White. Mounted Up Against Window at the Rear of the Window Pocket



7 Fascia @ Sheer and Blackout Shade



GR-401 (B)

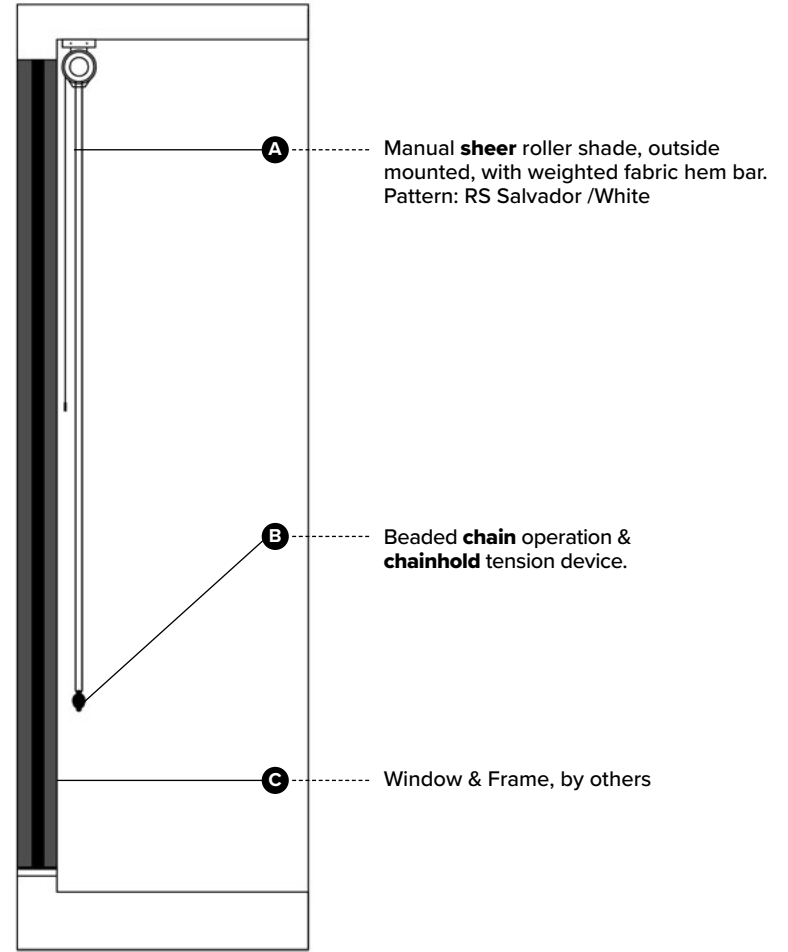
Roller Shades @ ADA Guestroom
Dynamic Scheme (Newton Option)

CONFIDENTIAL: All materials disclosed in this document are proprietary to Fabtex, Inc. The holder agrees to maintain it in confidence and must not replicate or reveal this information in any manner.

Date: March 17, 2025

PRODUCT DISCLAIMER: Fabtex is a manufacturer of commercial products that require installation by a licensed contractor. All information shown is for schematic purposes and to aid coordination amongst trades. All wiring, connections, means and methods is to be performed by others in strict adherence with all federal, state and local building codes.





Window Treatment Elevation + Section View

Specification # PA-400

Scale: NTS

Hilton

Public Area Window Treatments
Dynamic Scheme

HOME²
SUITES BY HILTON

PRODUCT DISCLAIMER: Fabtex is a manufacturer of commercial products that require installation by a licensed contractor. All information shown is for schematic purposes and to aid coordination amongst trades. All wiring, connections, means and methods is to be performed by others in strict adherence with all federal, state and local building codes.

CONFIDENTIAL: All materials disclosed in this document are proprietary to Fabtex, Inc. The holder agrees to maintain it in confidence and must not replicate or reveal this information in any manner.

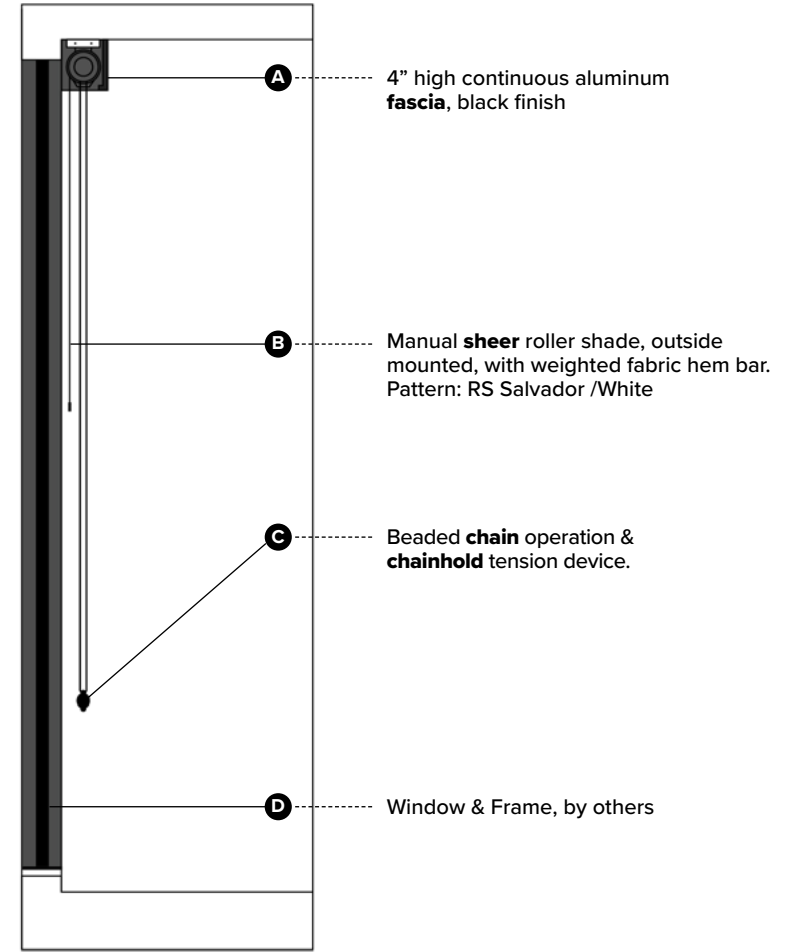
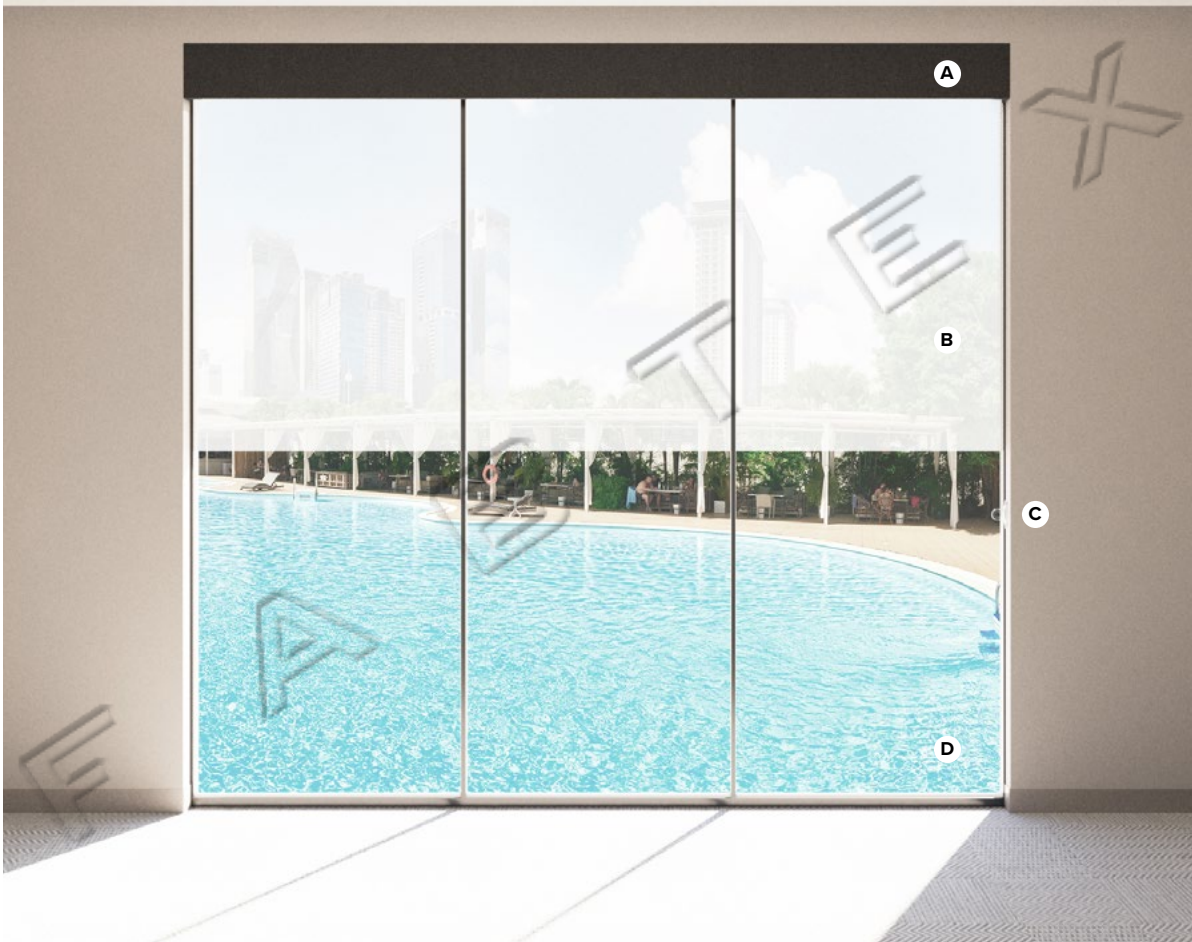
Fabric to meet NFPA 701 FR Standards. Roller Shade Lift System to comply with ANSI WCMA A100.1, Section 2515.03 safety standards.

Spec #PA-400

- Lobby
- Fitness Room

F A B T E X

Date: March 17, 2025



Window Treatment Elevation + Section View

Specification # PA-401

Scale: NTS

Hilton

Public Area Window Treatments
Dynamic Scheme

HOME2
SUITES BY HILTON

PRODUCT DISCLAIMER: Fabtex is a manufacturer of commercial products that require installation by a licensed contractor. All information shown is for schematic purposes and to aid coordination amongst trades. All wiring, connections, means and methods is to be performed by others in strict adherence with all federal, state and local building codes.

CONFIDENTIAL: All materials disclosed in this document are proprietary to Fabtex, Inc. The holder agrees to maintain it in confidence and must not replicate or reveal this information in any manner.

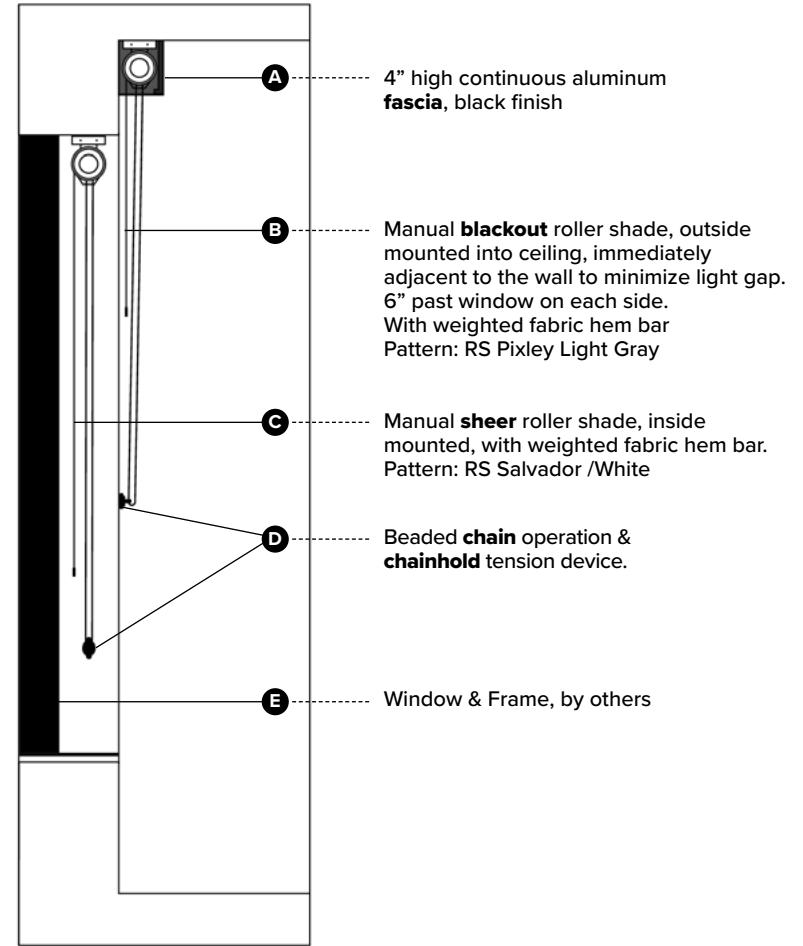
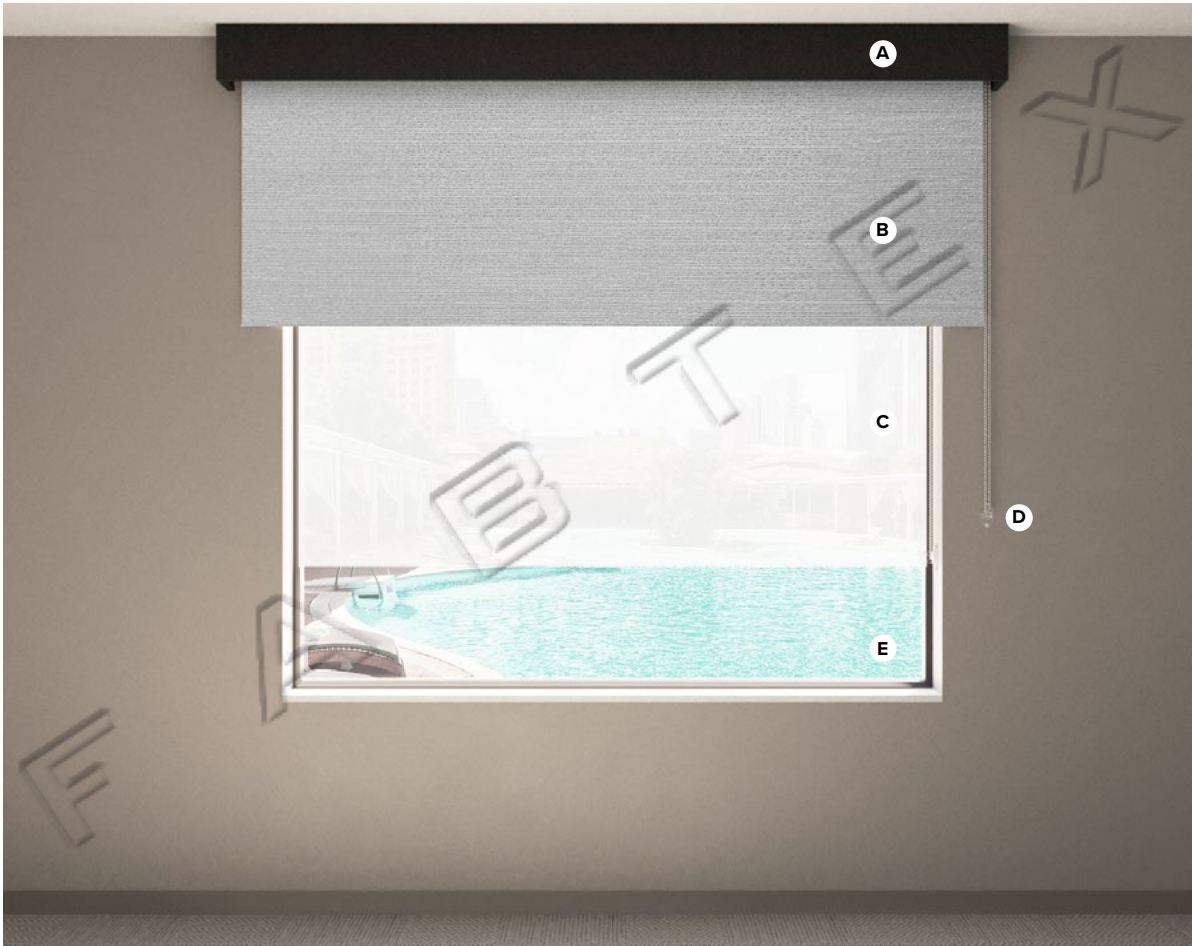
Fabric to meet NFPA 701 FR Standards. Roller Shade Lift System to comply with ANSI WCMA A100.1, Section 2515.03 safety standards.

Spec #PA-401

- Breakroom
- Fitness Room (Framed Windows)

F A B T E X

Date: March 17, 2025



Window Treatment Elevation + Section View

Specification # PA-402

Scale: NTS

Hilton

Public Area Window Treatments
Dynamic Scheme

HOME2
SUITES BY HILTON

PRODUCT DISCLAIMER: Fabtex is a manufacturer of commercial products that require installation by a licensed contractor. All information shown is for schematic purposes and to aid coordination amongst trades. All wiring, connections, means and methods is to be performed by others in strict adherence with all federal, state and local building codes.

CONFIDENTIAL: All materials disclosed in this document are proprietary to Fabtex, Inc. The holder agrees to maintain it in confidence and must not replicate or reveal this information in any manner.

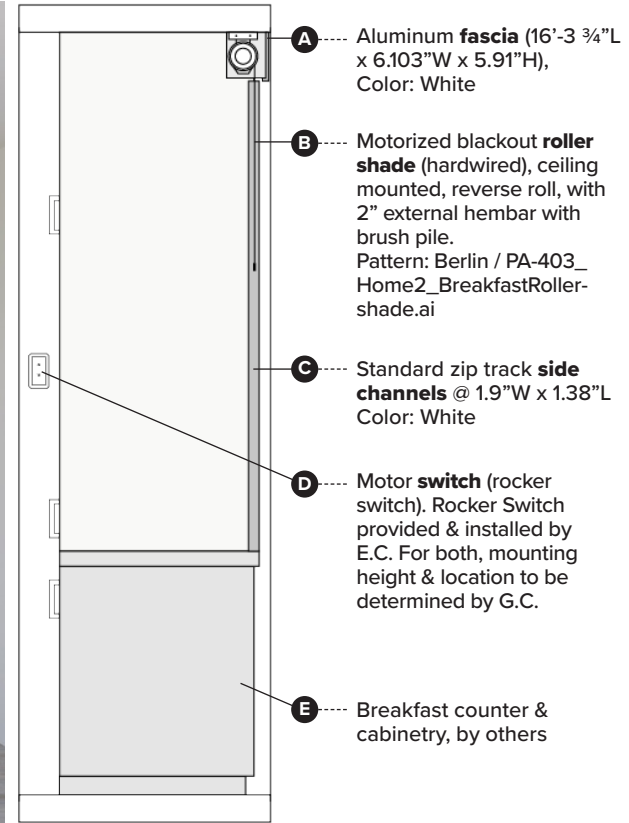
Fabric to meet NFPA 701 FR Standards. Roller Shade Lift System to comply with ANSI WCMA A100.1, Section 2515.03 safety standards.

Spec #PA-402

- Sales Office
- Meeting Room
- Board Room

F A B T E X

Date: March 17, 2025



Elevation + Left Section View

Scale: NTS

Hilton

Public Area - Breakfast Shade Treatments
PA-403

HOME2
SUITES BY HILTON

Fabric to meet NFPA 701 FR,
ASTM G21 & ASTM E2180
Standards.



PRODUCT DISCLAIMER: Fabtex is a manufacturer of commercial products that require installation by a licensed contractor. All information shown is for schematic purposes and to aid coordination amongst trades. All wiring, connections, means and methods is to be performed by others in strict adherence with all federal, state and local building codes.

CONFIDENTIAL: All materials disclosed in this document are proprietary to Fabtex, Inc. The holder agrees to maintain it in confidence and must not replicate or reveal this information in any manner.

Date: March 17, 2025

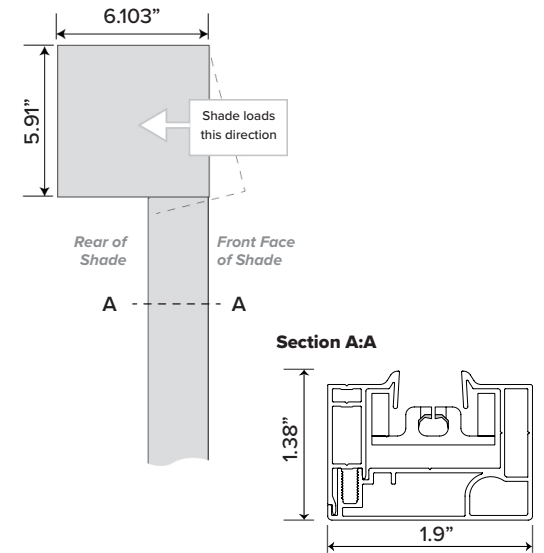


Showing roller shades fully opened

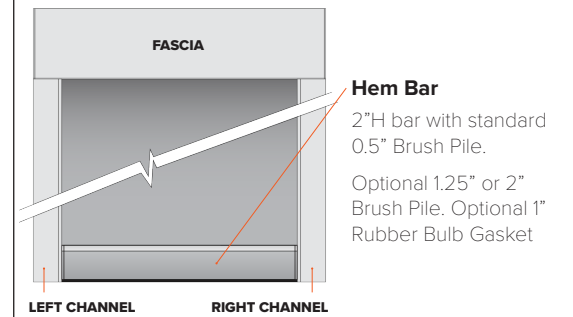


Angled view

Shade Detail - Section



Shade Detail - Elevation



Hilton

Public Area - Breakfast Shade Treatments
PA-403

HOME2
SUITES BY HILTON

Fabric to meet NFPA 701 FR,
ASTM G21 & ASTM E2180
Standards.

F A B T E X

PRODUCT DISCLAIMER: Fabtex is a manufacturer of commercial products that require installation by a licensed contractor. All information shown is for schematic purposes and to aid coordination amongst trades. All wiring, connections, means and methods is to be performed by others in strict adherence with all federal, state and local building codes.

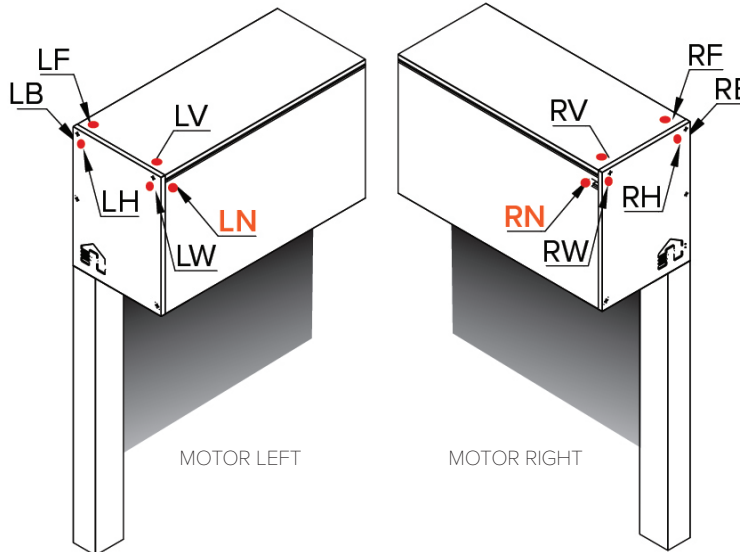
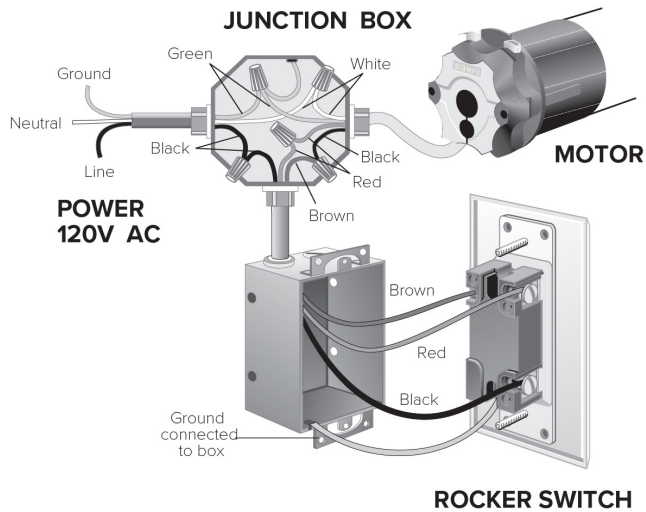
CONFIDENTIAL: All materials disclosed in this document are proprietary to Fabtex, Inc. The holder agrees to maintain it in confidence and must not replicate or reveal this information in any manner.

Date: March 17, 2025

Motor

110V Hardwired Motor w/ 110V Rocker Switch

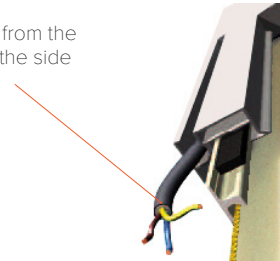
Wiring layout:



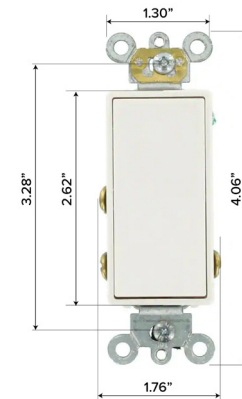
Cable Exit Options

The motor can be located on the left or right of the shade box. The motor's power cord can exit at 6 different points through a rubber weather proof grommet. Please specify which exit location you prefer. **LN & RN are preferred.**

The cable can also exit down from the head box and integrated into the side channel.



Switch



RECOMMENDED - SUPPLIED BY E.C.

Leviton 5657-2W, White Momentary Contact **Rocker Switch** (hardwired)

- 15 Amp, 120/277 Volt
- Decora Plus Rocker double-throw Ctr-OFF momentary contact single-pole AC quiet switch
- Self grounding
- Back & side wired

Hilton

Public Area - Breakfast Shade Treatments
PA-403

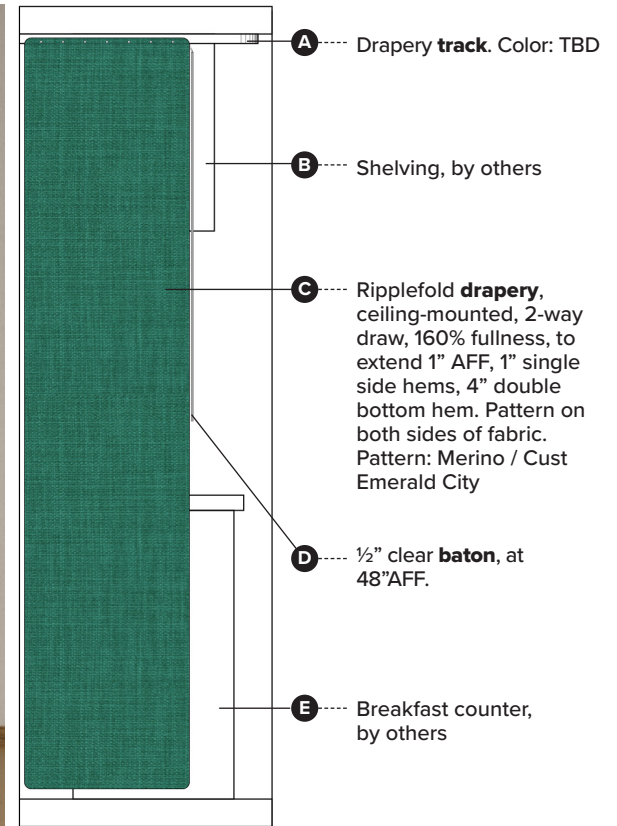
HOME2
SUITES BY HILTON

PRODUCT DISCLAIMER: Fabtex is a manufacturer of commercial products that require installation by a licensed contractor. All information shown is for schematic purposes and to aid coordination amongst trades. All wiring, connections, means and methods is to be performed by others in strict adherence with all federal, state and local building codes.

CONFIDENTIAL: All materials disclosed in this document are proprietary to Fabtex, Inc. The holder agrees to maintain it in confidence and must not replicate or reveal this information in any manner.

F A B T E X

Date: March 17, 2025






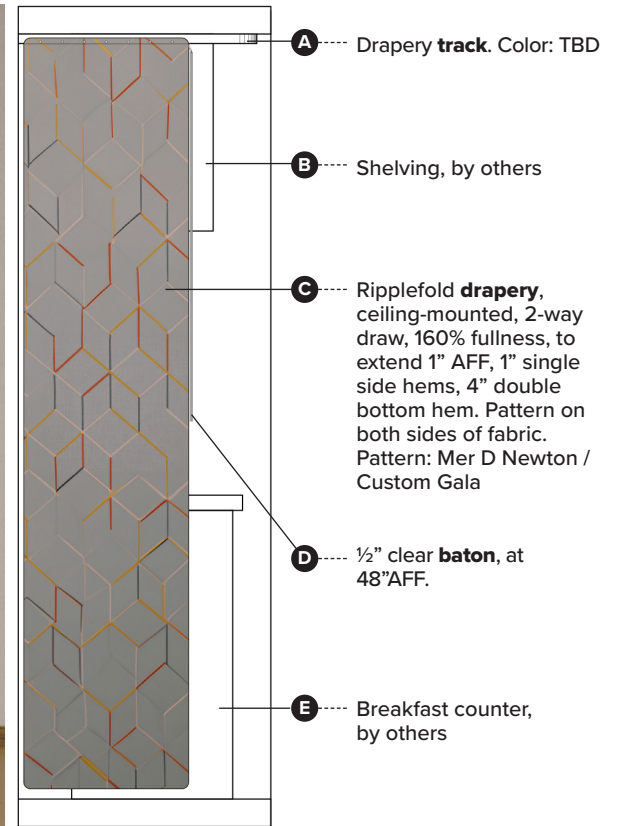
Window Treatment Elevation + Left Section View

Elevation shows drapes partially open. Section shows drapes in closed/stacked position.

Specification # (A) PA-450

Scale: NTS

 <p>Public Area - Breakfast Window Treatments Vibrant Scheme - Reno Only</p> 	<p>Fabric to meet Class 1 ASTM E-84 & NFPA 701 FR Standards.</p>	
<p>PRODUCT DISCLAIMER: Fabtex is a manufacturer of commercial products that require installation by a licensed contractor. All information shown is for schematic purposes and to aid coordination amongst trades. All wiring, connections, means and methods is to be performed by others in strict adherence with all federal, state and local building codes.</p> <hr style="border-top: 1px dashed #000;"/> <p>CONFIDENTIAL: All materials disclosed in this document are proprietary to Fabtex, Inc. The holder agrees to maintain it in confidence and must not replicate or reveal this information in any manner.</p>		<p>Date: March 17, 2025</p>



Window Treatment Elevation + Left Section View

Elevation shows drapes partially open. Section shows drapes in closed/stacked position.

Specification # (B) PA-450

Scale: NTS

Hilton

Public Area - Breakfast Window Treatments
Dynamic Scheme - Reno Only

HOME 2
SUITES BY HILTON

Fabric to meet Class 1 ASTM
E-84 & NFPA 701 FR Standards.



PRODUCT DISCLAIMER: Fabtex is a manufacturer of commercial products that require installation by a licensed contractor. All information shown is for schematic purposes and to aid coordination amongst trades. All wiring, connections, means and methods is to be performed by others in strict adherence with all federal, state and local building codes.

CONFIDENTIAL: All materials disclosed in this document are proprietary to Fabtex, Inc. The holder agrees to maintain it in confidence and must not replicate or reveal this information in any manner.

Date: March 17, 2025