

## Bed Skirts

Also known as dust skirts, dusters, bed valance or bed ruffles, these camouflage exposed bed frames & springs and prevent dust and debris from gathering under the bed. It also creates a decorative base for the mattress and bedding.

From the simple texture of a quilted bed skirt, to the clean crisp lines of box pleated edges, we have sophisticated options for your next project.



### Specifications

<b>Style</b>	Shirred; tailored (2, 5 or 11 pleat); box pleat; channel quilted
<b>Lining</b>	70/30 polyester/cotton (78/44 count)
<b>Decking</b>	70/30 polyester/cotton (78/44 count) without sizing or backfill
<b>Hems</b>	Single needle lock-stitched bottoms
<b>Platform</b>	4" platform strips
<b>Strips</b>	4" platform strips on 3 sides made from skirt fabric
<b>Size</b>	Width and length of box spring plus drop (normally 13-14")
<b>Drops</b>	1/2" to 1" off the floor
<b>Options</b>	Fitted sheet style bottom; 4" fitted cap; corner elastic bands; 1 1/2" sewn down pleats
<b>Installation</b>	T pins, upholstery pins or velcro

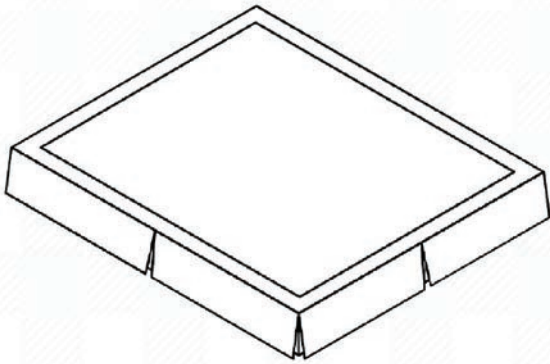
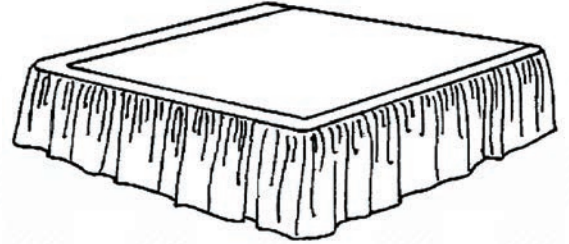
## Fabric Requirements

Yardage charts are for general reference only and can change depending on the fabric and final drop length. Chart is based on 54" solid fabric.

FOR SHIRRED & TAILORED STYLES

### Shirred

Made not by sewn-in pleating, but by drawing up and shirring fabric together for a gathered look. It creates a full classic appearance and washes well without extended press care. With 200% fullness.



### Tailored

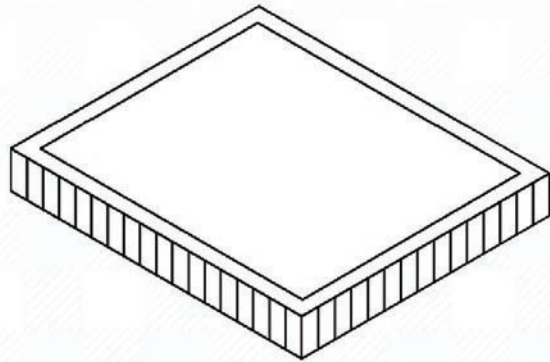
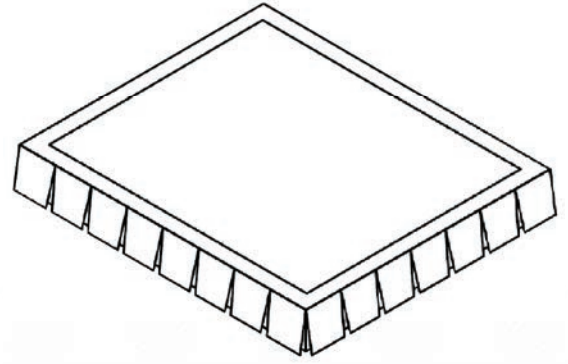
This skirt has a straight, flat finish and is accented by a variety of self-lined pleats.

	Width		Length		Drop	Yardage Required
<b>Twin</b>	39"	x	75"	x	14"	3.00
<b>Twin XL</b>	39"	x	80"	x	14"	3.25
<b>Double</b>	54"	x	75"	x	14"	3.50
<b>Double XL</b>	54"	x	80"	x	14"	3.50
<b>Queen</b>	60"	x	80"	x	14"	3.75
<b>Cal King</b>	72"	x	80"	x	14"	4.00
<b>Cal King Long</b>	72"	x	84"	x	14"	4.25
<b>Dual King</b>	78"	x	80"	x	14"	4.00
<b>Eastern King</b>	76"	x	80"	x	14"	4.00

FOR BOX, CHANNEL QUILT, AND CHANEL QUILT WITH CORNER KICK PLEAT STYLES

**Box Pleat**

Also known as Inverted Box Pleat, it has clean, crisp pleats with sharp edges on all 3 sides of the drops. However, it also requires the most fabric to manufacture due to the depth, size, and frequency of the pleats.



**Channel Quilt**

Made with 6-ounce fill, poly/cotton backing, and our 4" straight channel quilt pattern. Different quilt patterns & custom runs are available. This style has a thick upholstered look with closed corners giving a sharp, tailored appearance.

Open kick-pleated corners option also available.



	Width		Length		Drop	Yardage Required
<b>Twin</b>	39"	x	75"	x	14"	6.25
<b>Twin XL</b>	39"	x	80"	x	14"	6.25
<b>Double</b>	54"	x	75"	x	14"	6.75
<b>Double XL</b>	54"	x	80"	x	14"	6.75
<b>Queen</b>	60"	x	80"	x	14"	6.75
<b>Cal King</b>	72"	x	80"	x	14"	7.25
<b>Cal King Long</b>	72"	x	84"	x	14"	7.25
<b>Dual King</b>	78"	x	80"	x	14"	7.25
<b>Eastern King</b>	76"	x	80"	x	14"	7.25